



Marborex[®]
wall and ceiling panels
installation guide

where Marbrex® can be fitted

- To the walls and ceiling of any room in the house, office, factory or food preparation area. Includes shower cubicles with power shower up to maximum 60°C.
- To damp or damaged walls by fitting 38mm x 19mm battens horizontally at 600mm centres with screws into wall plugs and, if required, a breather membrane.
- To a wall or ceiling with a clean flat surface using adhesive (no battening required).
- To a wall or ceiling with ceramic tiles, using a moisture cure or solvent free adhesive (tiles do not have to be removed).
- Marbrex can withstand temperatures up to 60°C. It can be fitted behind hot water pipes and radiators and behind a gas or electric hob if a piece of heat resistant glass is installed between the product and the hob using 10mm spacers and mirror screws.

Steam Rooms – Not for use in Steam Rooms where hot spot temperatures may exceed 60°C.

Cleaning – Apply a non-abrasive household cleaner (can contain bleach in solution) with a soft cloth or sponge. Do not use neat bleach. Rinse with water.

installation process

boards fitted to flat, dry walls and ceilings

- Select and fit trims required (see section on trims). All trims should be secured with 4mm countersunk screws.
- Select the first board and remove the tongue on the left of the board and cut to length. Remember, if the last board in the run is on a feature corner, you could remove more of the first board in order to finish with a complete board.
- Painted surfaces should be suitably keyed before applying any adhesive.
- Apply adhesive evenly to the surface of the wall, or rear of board, in a zigzag pattern. Where there is restricted contact between the wall and board, the leading flange of the board should be fixed using appropriate screws or staples.
- Starting from the left, fit the board into the trim using a spirit level to ensure the board is vertical.
- Make sure the board is securely bonded to the wall.
- Mitre the front face of ceiling trims where necessary.
- When fixing to tiled walls a moisture cure silicone or solvent free adhesive should be applied.

boards fitted to damp or damaged walls

- Secure a breather membrane to the walls.
- Fit wooden battens (38mm x 19mm) to the wall; horizontally at 400mm centres and vertically at all intersections, corners and abutments in order to support finished ends.
- Secure the trims to the battens with 4mm countersunk screws or 12mm staples at 400mm centres.
- Select the first board and remove the tongue on the left of the board and cut to length. Remember, if the last board in the run is on a feature corner, you could remove more of the first board in order to finish with a complete board.
- Secure each board with countersunk screws or 12mm staples.
- Mitre the front face of ceiling trims where necessary.

Important notes

- Check that all boards of the same colour, used within a room, also carry the same batch number.
- Do not apply adhesive tape of any description (including masking tape) to the board surface.

installation notes

adhesives for Marbrex®

Use general purpose, solvent based adhesives or neutral cure low modulus silicones when fixing to plaster, brickwork or battening. **Important:** use a moisture cure, solvent-free adhesive or silicone sealant only when fixing to tiling.

silicones:

- Swish low modulus Silicone (BS5889A – Neutral cure)
- Rhodia 5.C (BS5889A – Neutral cure)
- Soudal Silicone (low modulus)
- Good quality neutral cure products to BS5889A

Note: For specific adhesive or sealant safety data sheets please refer to manufacturer.

adhesives:

- Swish General Purpose Adhesive (C079 – Solvent based)
- Evo-Stik Nail & Seal (Moisture cure system)
- Evo-Stik 528 Contact (Polychloroprene rubber resin)
- Liquid Nails (solvent or solvent-free formulations).
- No More Nails (Acrylic based)
- Soudal Soudagrip

performance:

Marbrex achieves a Class 1Y fire rating and conforms to the requirements of the Food Safety Act 1990 and General Hygiene Regulations 1995.

walls

- On corners, either use a corner trim or slit back face of board and bend around angle. Firmly secure bent board and previous board using screws.
- Do not mount load bearing accessories, eg. grab handles, directly on to Marbrex panels. When mounting accessories on the wall, take up the depth of the board with wood or other suitable spacers & seal with silicone.
- In a shower area a narrow silicone bead must be applied to the face of the right-hand flange to ensure complete protection against moisture.
- Run a silicone bead around the edge of a bath or shower tray. Fit ends of boards down onto bead to seal.

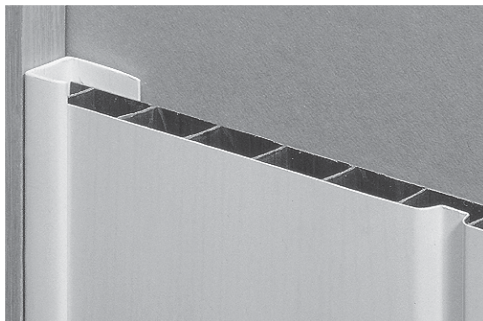
ceilings

- When fitting traditional halogen ceiling lights or lights with a shroud, there should be a 10mm gap between the halogen bulb (**max 35 watts**) or shroud and the Marbrex boards. New "Low Energy" bulbs are also available to minimise the energy consumption of the unit. **NOTE: Experience has shown that "Fire Rated" (enclosed) downlighters should NOT be used with Marbrex.**
- If Marbrex is fitted to a false ceiling or forms a false ceiling itself, there must be a large enough gap above the boards to allow the heat to disperse (minimum 4" /100mm). If this is not done the heat could distort the Marbrex boards.



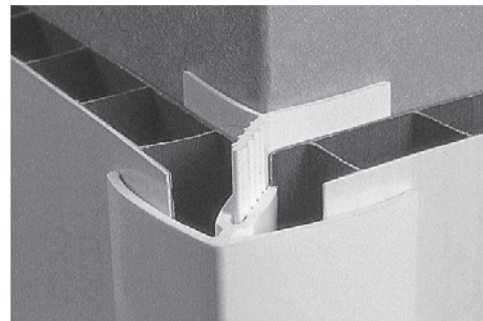
Marbrex® trims

End Cap (Single piece)



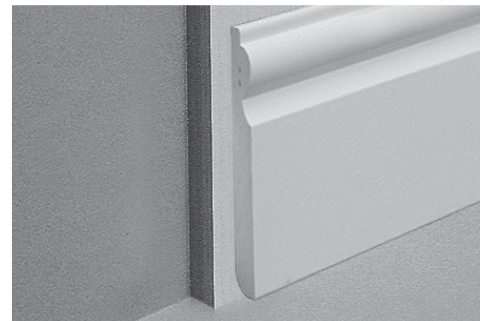
To start or finish a run of boards.

External Corner (Two-part)



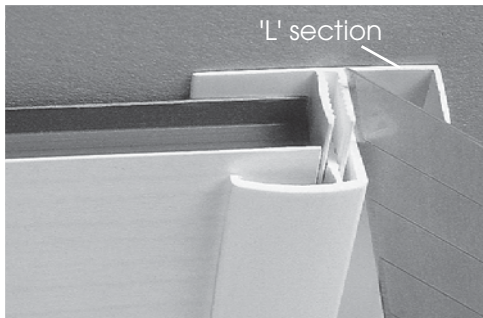
To form an external corner fix the mounting strip to the wall using wall plugs and flat head screws. Finish corner by clipping the front face into place.

Skirting Board

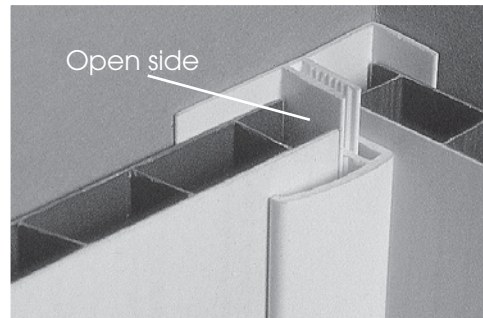


Install solid skirting (DC21195 / DC21196) using adhesive after wall boards have been fitted.

Multipurpose Trim (Two-part)

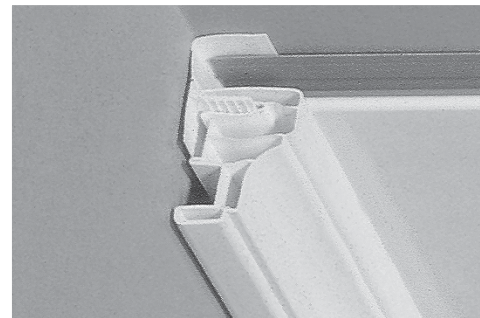


To start or finish a run of boards at a corner. Remove the 'L' section from the mounting strip using an appropriate knife.

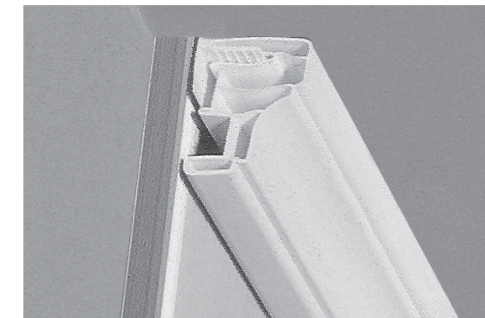


If the run of boards is to return around the room to the same point do not modify the mounting strip. Ensure that the open side of the mounting strip faces to the left.

Cornice (Two-part)



Fit wall boards flush with ceiling. *Spot drill through mounting strip and wall board at regular intervals. Drill out the wall and fit wall plugs flush with the surface of the wall board. Fix the mounting strip using flat head screws. Fit the ceiling boards and finish by clipping the front face of the cornice into place.



With wall boards only. Remove the top section from the mounting strip using an appropriate knife. Fit the wall boards and proceed from*.



Marbrex[®]

wall and ceiling panels



Swish Building Products, Pioneer House,
Lichfield Road Ind. Estate, Tamworth, Staffordshire B79 7TF

t: (01827) 317200 **f:** (01827) 317201

e: info@marbrexpanels.co.uk

www.marbrexpanels.co.uk

© Marbrex[®] is a registered trademark

A409 03/19